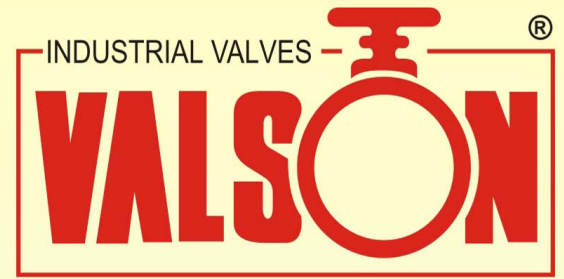


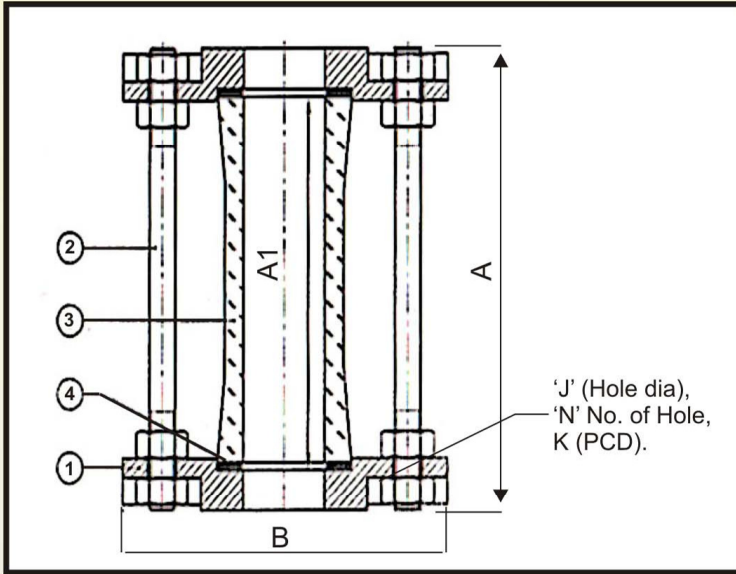
S/Steel 304 / 316  
Cylindrical type

# Sight Glass Valve

Flanged ASA 150#  
(Investment Casting).



AN ISO 9001 CERTIFIED CO.



Sr. No.	Nomenclature	Material
1.	Flanges	ASTM A 351 Gr. CF8 / CF8M.
2.	Studs & Nuts	S/Steel 304 / 316.
3.	Glass	Borosil Glass tube.
4.	Washers	PTFE (Teflon).

HYD. TESTED.  
BODY  
5kg/cm2

SIZE		A Face to Face		A1 Glass Length		B O.D.	J Hole dia	N Hole	K PCD
INCH	M.M.	4" Long	6" Long	4" Long	6" Long				
1/2"	15	115	165	100	150	89	15.8	04	60
3/4"	20	115	165	100	150	98.5	15.8	04	70
1"	25	115	165	100	150	108	15.8	04	79
1 1/2"	40	120	170	100	150	127	15.8	04	98
2"	50	125	175	100	150	152.4	19	04	121
2 1/2"	65	125	175	100	150	178	19	04	140
3"	80	127	177	100	150	190.5	19	04	152
4"	100	132	182	100	150	228.6	19	08	190.5
5"	125	---	---	100	150	254	22	08	216
6"	150	135	185	100	150	279.4	22	08	241

All dimension are in M.M.

Mfg. : **VALSON VALVES MFG. CO. - AHMEDABAD.**

Visit us : [www.valsonvalves.com](http://www.valsonvalves.com)